



OKI Camera Link Cable

OKI Camera Link Cable Series

Standard Camera Link cables

Standard hi-flex Camera Link cables

Power supply type (PoCL) Thin Camera Link cables

Power supply type (PoCL) Hi-flex Camera Link cables

Hi-flex Camera Link cables

Hi-speed and Hi-flex Camera Link cables

Features

Confirms to the CAMERA Link interface specifications

Various kind types are available which can connecting to moving parts such as to a camera mounted on a robot

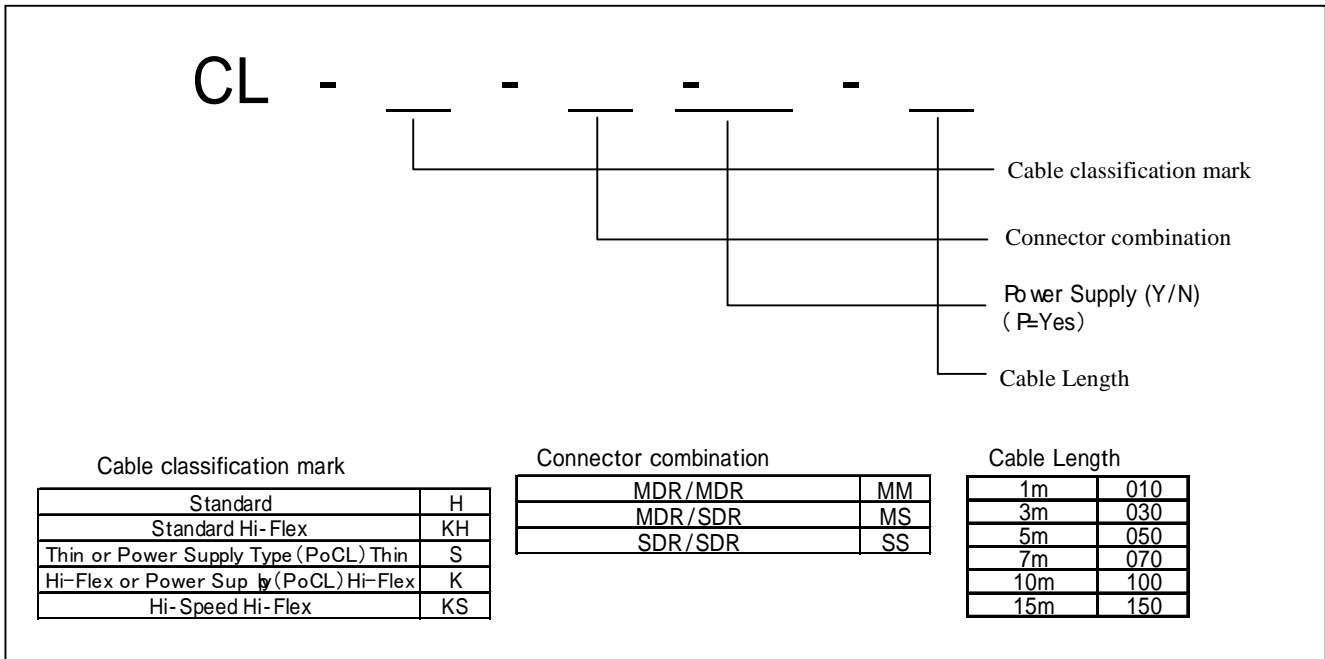
High-speed types are suitable for a clock frequency @85MHz

Confirms to the UL standard ,and has VW-1 flame retardant characteristics

Confirms to RoHS directives

Part numbers (Line up)

【Part numbers】



【Line up】

Transmission quality	Cable classification			
	Fixed	Hi-flex	Thin	Hi-speed
Full Configuration				
Base/Medium Configuration				

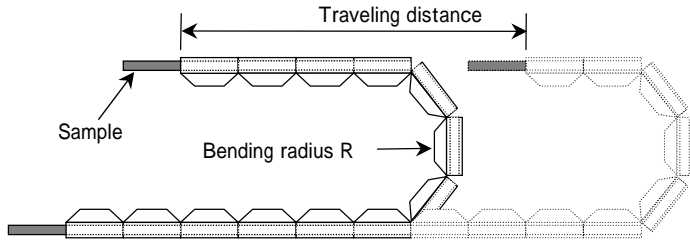
Part numbers examples:

Cable Type	Transmission quality	Wiring	Connector combination	Cable length(m)					
				1	3	5	7	10	15
Standard (H)	Full Configuration	Fixed	MDR/MDR (M M Type)	CL-H-MM-010	CL-H-MM-030	CL-H-MM-050	CL-H-MM-070	CL-H-MM-100	CL-H-MM-150
Standard Hi-flex (KH)	Full Configuration	Moving	MDR/MDR (M M Type)	CL-KH-MM-010	CL-KH-MM-030	CL-KH-MM-050	CL-KH-MM-070	CL-KH-MM-100	—
Thin Type (S)	Base/Medium Configuration	Fixed	MDR/MDR (M M Type)	CL-S-MM-010	CL-S-MM-030	CL-S-MM-050	CL-S-MM-070	CL-S-MM-100	—
			MDR/SDR (MS Type)	CL-S-MS-010	CL-S-MS-030	CL-S-MS-050	CL-S-MS-070	CL-S-MS-100	—
			SDR/SDR (S S Type)	CL-S-SS-010	CL-S-SS-030	CL-S-SS-050	CL-S-SS-070	CL-S-SS-100	—
Power supply (PoCL) Thin (S)	Base/Medium Configuration	Fixed	MDR/MDR (M M Type)	CL-S-MM-P-010	CL-S-MM-P-030	CL-S-MM-P-050	CL-S-MM-P-070	CL-S-MM-P-100	—
			MDR/SDR (MS Type)	CL-S-MS-P-010	CL-S-MS-P-030	CL-S-MS-P-050	CL-S-MS-P-070	CL-S-MS-P-100	—
			SDR/SDR (S S Type)	CL-S-SS-P-010	CL-S-SS-P-030	CL-S-SS-P-050	CL-S-SS-P-070	CL-S-SS-P-100	—
Power supply (PoCL) Hi-flex (K)	Base/Medium Configuration	Moving	MDR/MDR (M M Type)	CL-K-MM-P-010	CL-K-MM-P-030	CL-K-MM-P-050	CL-K-MM-P-070	CL-K-MM-P-100	—
			MDR/SDR (MS Type)	CL-K-MS-P-010	CL-K-MS-P-030	CL-K-MS-P-050	CL-K-MS-P-070	CL-K-MS-P-100	—
			SDR/SDR (S S Type)	CL-K-SS-P-010	CL-K-SS-P-030	CL-K-SS-P-050	CL-K-SS-P-070	CL-K-SS-P-100	—

Please contact us for any other custom type Cameralink cables

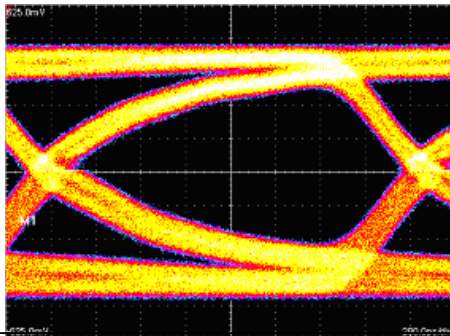
Quality

【S shape bending test】



<Sliding conditions>
 Bending radius: 100 mm
 Traveling speed: 18 times / minute
 Traveling distance: 1000 mm
 Count: One back-and-forth movement is counted as one time.

<Eye pattern after 1,000,000-repetition sliding test>
 CL-K-MS-050



This sliding test method is developed by OKI. The result is for reference only.

Products Overview



MDR/MM Type

MDR/SDR (MS Type)

SDR/SDR (SS Type)

MM type

MS type

SS type



CL-H-MM-100
 (Standard cable)



CL-K-MS-P-030
 (Power line incl. thin cable)



CL-S-SS-P-050
 (Power line incl. thin cable)



Precautions for use

Fully insert the connector. Also, take care that an excessively large tensile force is not applied to the connector. Switch OFF the power before connecting or disconnecting the connector.

When connecting or disconnecting the connector, pull the connector in such a way that it is parallel to the mating connector. If you gouge the connector, or repeatedly insert and pull it out to an excessive degree, the housing or pins may become damaged.

Do not step on these products.

These cables are intended for high-speed transmission of small signals, so any large noise may result in signal errors.

Keep these cables at least 60cm from the location of a possible noise source (air conditioner, electric light, etc.).

Warranty

This document is not guaranteed to transmit the image data, prior checking with each systems are required

We cannot guarantee this product if you use it under the following conditions.

Concerning trouble such as the inability of a certain appliance connected to the equipment to operate stably or operate at all

Concerning loss of data, for example, generated during use

Concerning trouble such as a breakdown or trouble in an appliance due to improper use

Concerning trouble that occurred when a non-standard connector was used, for example



The colors shown in this catalog may differ slightly from those of the actual product due to the printing process. The contents of this catalog are applicable as of May 2008.

Please note that the specifications, etc, may be changed without prior notification.

Main Products Machine Vision high speed interface cable, Flexible PC Boards ,Cables for robots and movable equipment,

OKIFLEX® flat cable, Hard clad optical fiber code/cable

OB wire® series electrode wires for wire electric discharge machines, New “Cool staff” heat radiation materials

Manufactured by

OKI

Oki Electric Cable Co., Ltd.

Website URL: <http://www.okidensen.co.jp/english/>

Contact Form: https://www.oki.com/ssl/oec/contact/english_form.htm

Head Office: 2-12-8, Shimo-kodanaka, Nakahara-Ku, Kawasaki City, Kanagawa-Ken, Japan 211-8585

TEL: +81-44-754-4360, FAX: +81-44-754-0012

